

**7046-1—  
2013**

**1.**

**Z.**

**4.8**

**ISO 7046-1:2011**

**Countersunk flat head screws (common head style) with type H or type Z cross  
recess - Product grade A - Part 1: Steel screws of property class 4.8**

**(IDT)**



2014

1 « »  
( ) «PM- » ( «PM- »)  
4  
2 229 « »  
3 8 2013 . 1453-  
4 7046-1:2011 «  
Z. 1.  
4.8» (ISO 7046-1:2011 « Countersunk flat head screws (common head style)  
with type H or type Z cross recess - Product grade A - Part 1: Steel screws of property class 4.8»).

5 50403-92 ( 2009 - 83, 7046 - 83)

1. —2 12 ( 1 ).  
( 1  
) « »,  
( ) « ».  
, « ».  
( ) « ».  
,  
(gost.ru)

Z

1.

4.8

Countersunk flat head screws (common head style) with type H or type Z cross recess - Product grade A -  
Part 1: Steel screws of property class 4.8

-2015-01-01

**1**

1,6

Z.

4.8

261,

888,

898-1

965-2.

**2**

( )

225

(ISO 225, Fasteners — Bolts, screws, studs and nuts — Symbols and designations of dimensions)

261

ISO

(ISO 261, ISO general

purpose metric screw threads — General plan)

898-1

1.

(ISO 898-1, Mechanical properties of fasteners made of carbon steel and alloy steel - Part 1: Bolts, screws and studs with specified property classes - Coarse thread and fine pitch thread)

965-2

ISO

2.

(ISO 965-2,

ISO general purpose metric screw threads — Tolerances — Part 2: Limits of sizes for general purpose external and internal screw threads — Medium quality)

3269

(ISO 3269, Fasteners — Acceptance

inspection)

4042

(ISO 4042, Fasteners —

Electroplated coatings)

4757

(ISO 4757, Cross recesses for screws)

4759-1

1.

(ISO 4759-1. Tolerances for fasteners — Part 1: Bolts, screws, studs and nuts — Product grades A, and C)

6157-1

1.

(ISO 6157-1. Fasteners — Surface discontinuities — Part 1: Bolts, screws and studs for general requirements)

8992

(ISO

8992, Fasteners — General requirements for bolts, screws, studs and nuts)

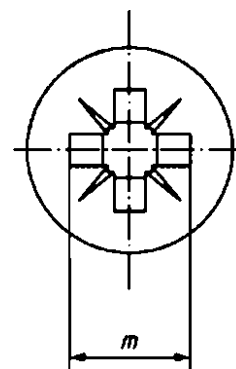
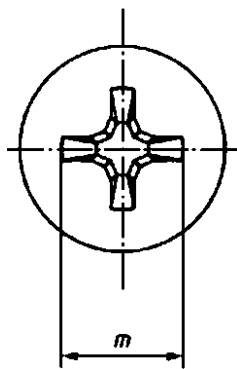
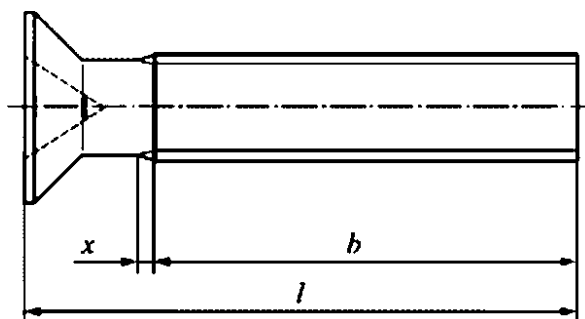
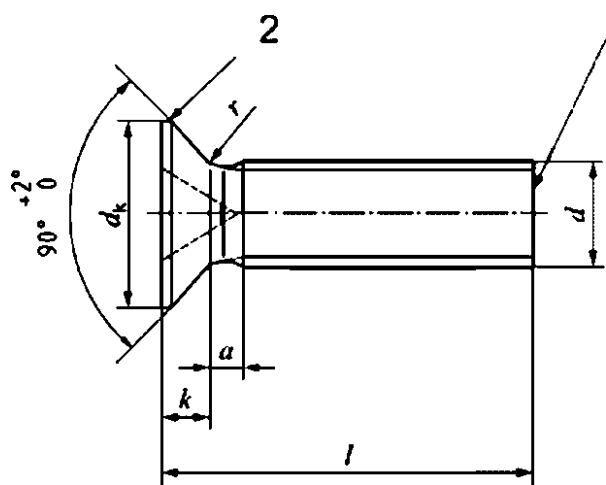
« »

1

«

3

225.



)

)

Z

1-

;2-

(

)

1

1-

.d			1.6	2	2.5	3	( 3.5) <sup>1</sup>	4	5		8	10	
			0.35	0.4	0,45	0.5	0.6	0.7	0.8	1	1.25	1.5	
			0.7	0.8	0.9	1	1.2	1.4	1.6	2	2.5	3	
b			25	25	25	25	38	38	38	38	38	38	
			3.6	4.4	5.5	6.3	8.2	9.4	10.4	12,6	17.3	20	
		=	3.0	3.8	4.7	5.5	7,30	8.40	9.30	11.30	15.80	18.30	
			2.7	3.5	4.4	5.2	6.94	8,04	8.94	10,87	15.37	17,78	
"			1	1.2	1.5	1.65	2.35	2.7	2.7	3.3	4.65	5	
			0.4	0.5	0.6	0.8	0.9	1	1.3	1.5	2	2.5	
X			0.9	1	1.1	1.25	1.5	1.75	2	2.5	3.2	3.8	
( 1. ) 4	Z		0			1		2			3	4	
			1.6	1.9	2.9	3.2	4.4	4.6	5.2	6.8	8.9	10	
			0.9	1.2	1.8	2.1	2.4	2.6	3.2	3.5	4.6	5.7	
			0.6	0.9	1.4	1.7	1.9	2.1	2.7	3.0	4.0	5.1	
			1.6	1.9	2.8	3	4.1	4.4	4.9	6,6	8.8	9.8	
			0,95	1.20	1.73	2.01	2,20	2.51	3,05	3,45	4.60	5.64	
			0,70	0.95	1.48	1.76	1.75	2,06	2,60	3,00	4.15	5,19	
			1000 ( = 7,85 / <sup>3</sup> )										
			( )										
3	2.8	3.2	0.058	0.101	0.176								
4	3.76	4.24	0.069	0.119	0,206	0,291							
5	4.76	5.24	0,081	0,137	0.236	0,335	0,573	0.825					
6	5,76	6,24	0.093	0.152	0.266	0,379	0,633	0.903	1,24				
8	7.71	8.29	0,116	0.193	0.326	0,467	0.753	1,06	1.48	2,38			
10	9.71	10,29	0.139	0.231	0,386	0.555	0.873	1.22	1.72	2,73	5.68		
12	11,65	12.35	0,162	0.268	0,446	0,643	0,993	1.37	1,96	3,08	6,32	9.54	
(14)	13.65	14,35	0,185	0.306	0,507	0,731	1.11	1.53	2.2	3,43	6,96	10,6	
16	15,65	16.35	0,208	0,343	0.567	0.82	1.23	1,68	2,44	3,78	7,6	11.6	
20	19.58	20,42		0.417	0.687	0,996	1.47	2	2,92	4,48	8.88	13.6	
25	24.58	25.42			0.838	1.22	1.77	2.39	3.52	5.36	10.5	16.1	
30	29,58	30,42				1,44	2.07	2.78	4.12	6.23	12.1	18.7	
35	34,5	35.5				—	2,37	3.17	4,72	7,11	13.7	21.2	
40	39.5	40.5				1		3,56	5,32	7,98	15,3	23.7	
45	44.5	45,5				1			5.92	8.86	16,9	26.2	
50	49,5	50,5							6,52	9,73	18,5	28.8	
(55)	54,05	55.95								10,6	20,1	31,3	
60	59,05	60,95								11.5	21.7	33.8	

7721.  
\* 7721-2.

4

2.

2 -

		8992
		261, 965-2
		4.8
		898-1
		4759-1
		4757
		4042
		6157-1
		3269

5

- / = 20 , 4.8 5, Z

7046-1 - 5 20 - 4.8 - Z

( )

( )

1

225	-	*
261	MOD	8724 -2002 ( 261-98) « »
898-1	IDT	898-1-2011 « 1. , »
965-2	—	*
3269	IDT	3269-2009 « »
4042	IDT	4042-2009 « »
4757	NEQ	10753-86 « »
4759-1	IDT	4759-1-2009 « 1. , , »
6157-1	IDT	6157-1-2009 «« 1. , »
8992	IDT	8992-2011 « »
<p>- MOD - ;</p> <p>- IDT - ;</p> <p>- NEQ -</p>		

- (1J ISO 888, Bolts, screws and studs — Nominal lengths, and thread lengths for general purpose bolts  
 [2] ISO 7721, Countersunk head screws - Head configuration and gauging  
 (3) ISO 7721 -2, Countersunk flat head screws - Part 2: Penetration depth of cross recesses

621.882.215.3:006.354

21.060.

32

165000

: , , , , , Z,

01.04.2014. 60 84/ >  
. . . 0.93. 31 . . 1352.

,

« »

123995 , ., 4.  
www.gostinfo.ru info@gostinfo.ru